

LEGEND

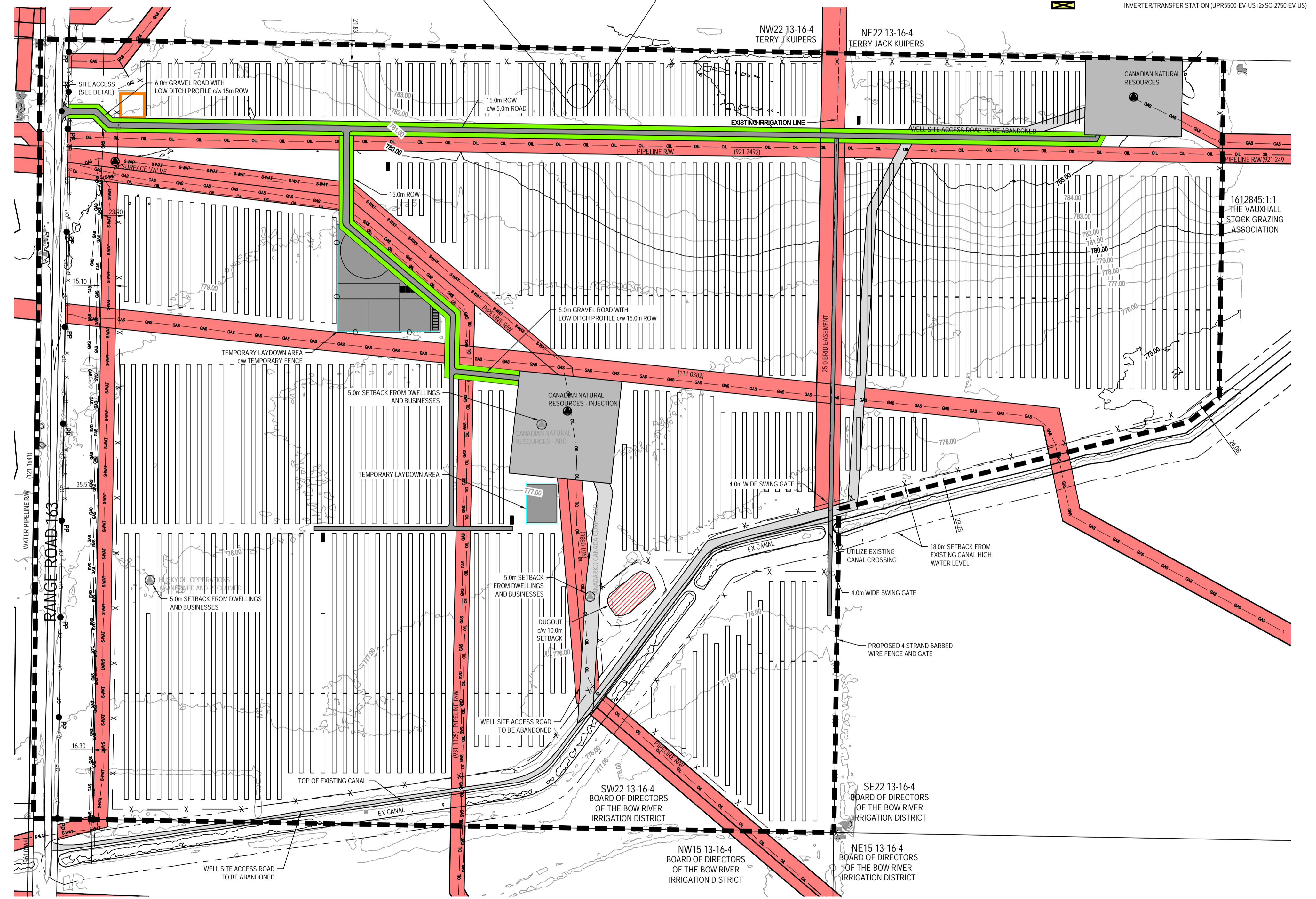
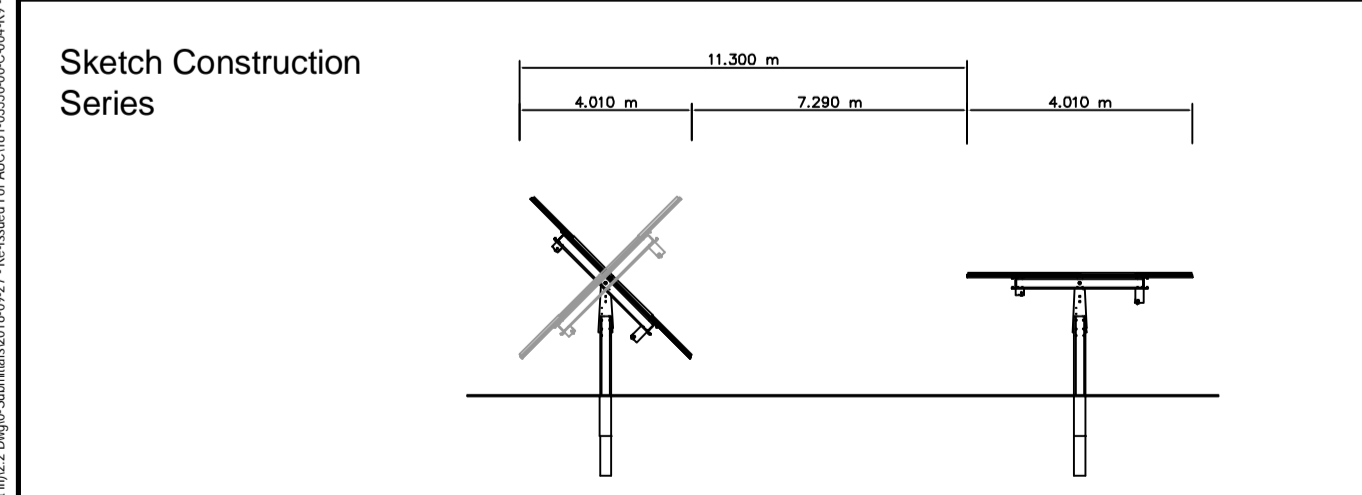
---	SITE BOUNDARY
---	EXISTING CONTOURS (1.0m INTERVAL)
---	SITE SETBACKS
X	PROPOSED BARBED WIRE FENCE
---	PROPOSED CHAIN LINK FENCE
---	EXISTING FENCE
---	EXISTING GAS LINE
---	EXISTING SOUR GAS LINE
---	ABANDONED GAS LINE
---	EXISTING OIL LINE
---	ABANDONED OIL LINE
---	EXISTING SALT WATER LINE
---	ABANDONED SALT WATER LINE
---	EXISTING TELUS LINE
---	EXISTING UNDERGROUND POWER
---	EXISTING OVERHEAD POWERLINE
---	EXISTING WATERLINE
---	TEMPORARY LAYDOWN AREA
---	SWITCHGEAR AND CONTROL EQUIPMENT
---	SITE ACCESS ROAD
---	PROPOSED ROW FOR WELL SITE ACCESS ROAD
---	PIPELINE RIGHT OF WAY
---	EXISTING DUGOUT
---	CONFIRMED EXISTING WELL
---	ABANDONED WELL
---	CONFIRMED BORE HOLE
---	EXISTING IRRIGATION PIVOT
---	EXISTING POWER POLE
---	EXISTING TELUS BOX
---	EXISTING POWER BOX
---	EXISTING WATER PUMP
---	SOLAR TRACKER
---	INVERTER/TRANSFER STATION (UPR5500-EV-US+2xSC-2750-EV-US)

Project Data

Fenced Area Total	- 73.42 ha
Fence Length Total	- 3641 m
Number of Structures 6T (2 x 162)	- 81
Number of Structures 5T (2 x 135)	- 70
Number of Structures 4T (2 x 108)	- 45
Number of Structures 3T (2 x 81)	- 70
Number of Structures 2T (2 x 54)	- 122
Number of Modules	- 79380
Type of Module / Power	- CS3U-340P / 340 W-DC
Inverter / Stands	- 4 x (UPR5500-EV-US+2xSC-2750-EV-US)
Plant System Rating	- 26.989200 MWp-DC

Construction and Parameter

Construction Series	- Ideematec-Tracker, 2 Modules vertical
Connection	- 27 / String
System Rotation	- no
GCR	- 0.35



ISS/REV	DATE	DESCRIPTION	DES	CHK	PM
9	2018-09-27	RE-ISSUED FOR AUC	MA	--	TP
8	2018-09-12	RE-ISSUED FOR AUC	MA	--	TP
7	2018-08-31	RE-ISSUED FOR AUC	MA	--	TP
6	2018-08-16	RE-ISSUED FOR AUC	MA	--	TP
5	2018-07-31	ISSUED FOR AUC	MA	--	TP
4	2018-05-03	ISSUED FOR DESIGN	MA	TP	TP
3	2018-03-23	ISSUED FOR CLIENT REVIEW	MA	TP	TP
2	2017-11-28	ISSUED FOR AUC	MA	--	TP
1	2017-10-18	RE-ISSUED FOR APPROVAL	MA	CW	TP
0	2017-08-31	RE-ISSUED FOR APPROVAL	MA	TP	TP

CLIENT:

CLIENT REF. NO.

3509 6th AVENUE NORTH
LETHBRIDGE, ALBERTA T1J 5C1
TEL: 403-327-7746 | FAX: 403-380-2825 | WWW.WSPGROUP.COM

PROJECT: PRAIRIE SUNLIGHT III SOLAR PROJECT

PROJECT NO: 181-03550-00
ORIGINAL SCALE: 1:2500
DATE: 2018-09-27

DESIGNED BY: MA
DRAWN BY: MA

DISCIPLINE: CIVIL

TITLE: VAUXHALL SITE PLAN

DRAWING NO: C-004

SHEET NO: OF

ISSUE: RE-ISSUED FOR AUC

ISSUE DATE: 2018-09-27

ISSUE NO: 9

2018-09-27 10:55:00 AM Vauxhall PrairieSunlight III 2.dwg, Submitted: 2018-09-27, Re-issued for AUC: 2018-09-27, 2018-10-03