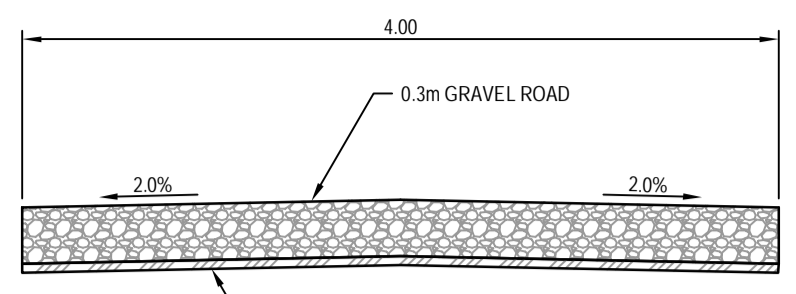
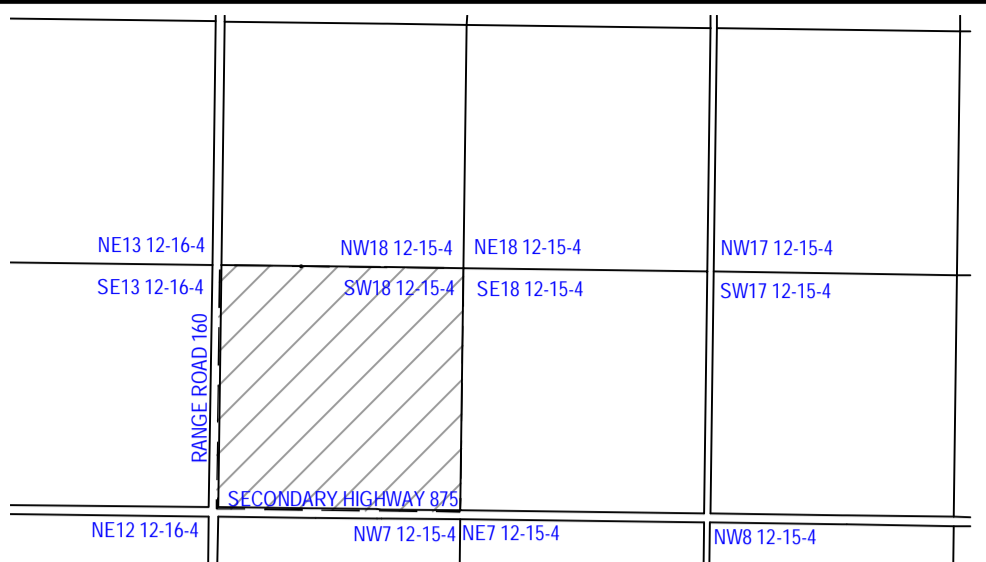


**SITE ACCESS DETAIL**  
SCALE 1:250m



**SITE ACCESS ROAD**  
SCALE 1:40



**LOCATION PLAN**  
SCALE 1:25000m

**LEGEND**

	SITE BOUNDARY
	EXISTING CONTOURS (1.0m INTERVAL)
	SITE SETBACKS
	PROPOSED CHAIN LINK FENCE
	EXISTING FENCE
	EXISTING GAS LINE
	EXISTING SOUR GAS LINE
	ABANDONED GAS LINE
	EXISTING OIL LINE
	ABANDONED OIL LINE
	EXISTING SALT WATER LINE
	ABANDONED SALT WATER LINE
	EXISTING TELUS LINE
	EXISTING UNDERGROUND POWER
	EXISTING OVERHEAD POWERLINE
	EXISTING WATERLINE
	TEMPORARY LAYDOWN AREA
	SWITCHGEAR AND CONTROL EQUIPMENT
	SITE ACCESS ROAD
	EXISTING WELL ACCESS ROAD
	PIPELINE RIGHT OF WAY
	EXISTING DUGOUT
	WELL
	ABANDONED WELL
	BORE HOLE
	ABANDONED BORE HOLE
	EXISTING IRRIGATION PIVOT
	EXISTING POWER POLE
	EXISTING TELUS BOX
	EXISTING POWER BOX
	EXISTING WATER PUMP
	SOLAR TRACKER
	INVERTER/TRANSFER STATION (UPR2750-EV-10-US / 5)

**PROJECT DATA**

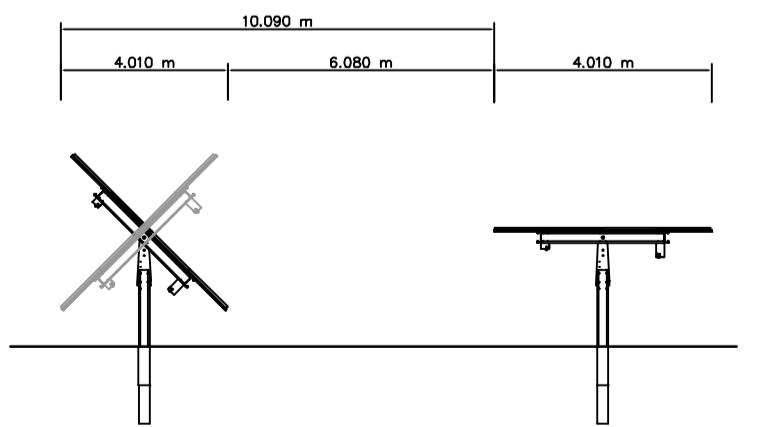
FENCED AREA	- 55.41 ha
FENCE LENGTH	- 2978 m
NUMBER OF STRUCTURES 6T (2 X 156)	- 63
NUMBER OF STRUCTURES 5T (2 X 135)	- 200
NUMBER OF STRUCTURES 4T (2 X 108)	- 18
NUMBER OF STRUCTURES 3T (2 X 81)	- 21
NUMBER OF STRUCTURES 2T (2 X 54)	- 5
NUMBER OF MODULES	- 79196
TYPE OF MODULE / POWER	- CS3U-380MS / 380 W-DC
INVERTER / STANDS	- 9 x UPR2750-EV-10-US / 5

**PLANT SYSTEM RATING - 30.094480 MWP-DC**

**CONSTRUCTION AND PARAMETER**

CONSTRUCTION SERIES	- IDEEMATEC-TRACKER, 2 MODULES VER.
CONNECTION	- 26 / STRING
SYSTEM ROTATION	- NO
GCR	- 0.35

**SKETCH CONSTRUCTION SERIES**



**TYPICAL INSTALLATION**



DISCLAIMER:	COPYRIGHT:	9	2019-02-26	RE-ISSUED FOR AUC	MA	--	TP	SEAL:
		8	2018-11-27	ISSUED FOR AUC	MA	--	TP	
		7	2018-08-13	ISSUED FOR AUC	MA	--	TP	
		6	2018-06-22	ISSUED FOR DESIGN	MA	GW	--	
		5	2018-04-06	ISSUED FOR CLIENT REVIEW	MA	TP	TP	
		4	2017-11-28	ISSUED FOR AUC	MA	--	--	
		3	2017-11-06	ISSUED FOR FINAL	MA	--	--	
		2	2017-10-18	RE-ISSUED FOR APPROVAL	MA	GW	TP	
		1	2017-07-18	RE-ISSUED FOR APPROVAL	MA	--	--	
		0	2017-06-31	RE-ISSUED FOR APPROVAL	MA	TP	TP	
ISS/REV	DATE			DESCRIPTION	DES	CHK	PM	

CLIENT:	TABER SOLAR 2 INC.
CLIENT REF. NO.	

3509 6th AVENUE NORTH  
LETHBRIDGE, ALBERTA T1J 5C1  
TEL: 403-327-7746 | FAX: 403-380-2825 | WWW.WSPGROUP.COM

PROJECT:	PRAIRIE SUNLIGHT II SOLAR PROJECT	TITLE:	HULL SITE PLAN
PROJECT NO.:	171-01873-00	DRAWING NO.:	C-003
ORIGINAL SCALE:	1:2500	SHEET NO.:	OF
DATE:	2019-02-26	ISSUE:	RE-ISSUED FOR AUC
DESIGNED BY:	MA	ISS/REV:	9
DRAWN BY:	MA	DISCIPLINE:	CIVIL
DATE:	2019-02-26	ISSUE DATE:	2019-02-26

04/21/2019 09:55:00 AM: P:\proj\171-01873-00\171-01873-00-15 - Hull Site Plan (1:2500) - 03/10/2019 09:55:00 AM